

# X2 - Vertical Windlass

700W / 1000W / 1500W



**Main features**

- Luxury chrome bronze base and drum
- Special watertight stainless steel ball bearing in the base
- With drum or Low profile
- Independent Gypsy and drum operation
- Rope and chain combination Gypsy
- Manual chain release
- Manual override available for chromed bronze models only
- Rope chain management by the spring loaded arm
- Chain counter magnet pre-installed as standard
- IP67 rated heavy duty electric motor
- Anodised marine aluminium gearbox

*With Drum*

Construction	Aluminium						Chromed bronze					
	700W		1000 W		1500 W		700W		1000 W		1500 W	
Motor size	12	24	12	24	12	24	12	24	12	24	12	24
Power Supply (V)	12	24	12	24	12	24	12	24	12	24	12	24
Maximum Pull (kg)	750	750	1000	1060	1200	1250	850	850	1000	1060	1200	1250
Working load (kg)	80	80	165	165	190	190	80	80	165	165	190	190
Amps at Working Load (A)	90	45	135	70	150	75	90	45	135	70	150	75
Line Speed at Working Load (m/min)	26	26	20	23	17	19	26	26	20	23	17	19
Max Line Speed (m/min)	35	35	40	40	40	40	35	35	40	40	40	40
Net Weight Low Profile (kg)	18	18	19	23	24	24	21	21	23	23	24	24
Net Weight with Drum (kg)	19	19	20	24	25	25	23	23	24	24	25	25
Circuit Breaker (available separately)	187332	187331	187333	187332	187333	187332	187332	187331	187333	187332	187333	187332
Control Box	Included in package											

X2			Code	Code	Code	Code	Code	Code	Code	Code	Code	Code	Code	Code
With Drum	6 mm, ISO 4565 / DIN 766	-	600044	*	600049	*	*	*	600046	601022	600997	*	*	*
	8 mm, ISO 4565 / DIN 766	14 mm, 3-strand	472735	*	472751	472750	600057	600061	472862	601024	473212	473255	*	*
	10 mm, DIN 766	-	*	*	*	*	*	601068	*	*	602096	473227	187274	187276
	10 mm, ISO 4565	-	*	*	600053	*	600056	600060	*	*	472863	*	601013	601044
Low Profile	6 mm, ISO 4565 / DIN 766	-	600045	602111	600050	*	*	*	600047	601016	600989	*	*	*
	8 mm, ISO 4565 / DIN 766	14 mm, 3-strand	472558	*	472557	*	*	601065	472861	601018	473213	600054	*	*
	10 mm, DIN 766	-	*	*	*	*	601055	601067	*	*	602097	473226	187273	601041
	10 mm, ISO 4565	-	*	*	57450	*	601054	601066	*	*	472864	478642	601008	602529

\*Non-standard configuration optional gypsies can be supplied separately. Please refer to compatible gypsies table on next page.

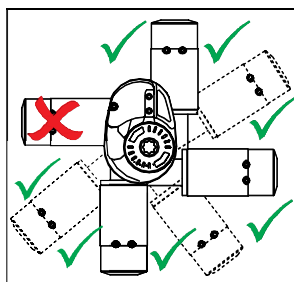


Low profile

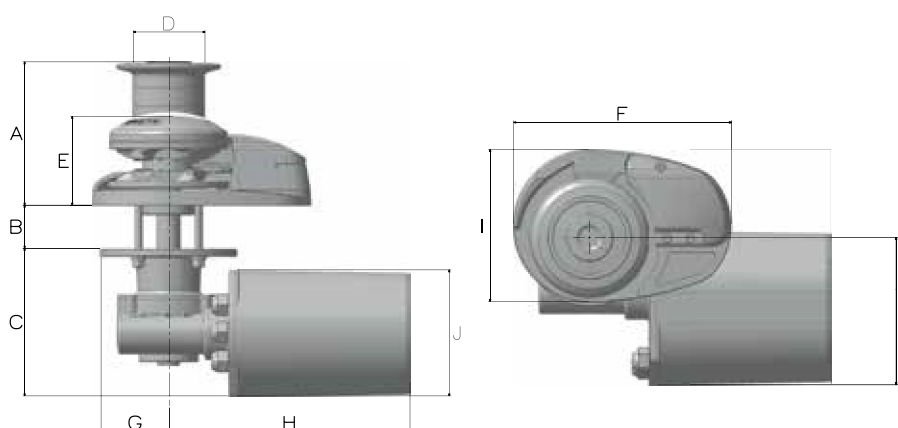
**Standard Equipment:**

- Dual direction solenoid pack
- Handle
- Gypsy for chain
- CD / Instruction manual

**Installation positions**



**Dimensions in mm**



Model	A	B	C	D	E*	F	G	H	I	J	L
700W	153	25-40	155	Ø76	95	232	73	260	162	134	165
1000W	153	25-40	155	Ø76	95	232	73	260	162	134	165
1500W	153	25-40	155	Ø76	95	232	73	260	162	134	165

\*Low Profile height dimensions.

**Compatible Gypsies**



Code	Gypsy Size
630953	6 mm, ISO 4565 / DIN 766
630949	8 mm, ISO 4565 / DIN 766
630951	10mm, ISO 4565
630955	10mm, / DIN 766

**Optional Accessories**

- Foot Switch
- Control Switch
- Circuit Breaker
- Chain Counter
- Hand Held Control
- Radio Control



**KEEP YOUR LOFRANS' AS GOOD AS NEW!**



**Maintenance Kit for X2**

Code....72038

**Maintenance Kit for X2 ALU**

Code....72039



Please refer to accessories section for control and installation products (see pages 49-56)