

X1 - Vertical Windlass

500W / 700W / 1000W



With Drum



Low profile

Main features

- Luxury chrome bronze base and drum
- With drum or Low profile
- Independent Gypsy and drum operation
- Rope and chain combination Gypsy
- Manual chain release
- Rope chain management by the spring loaded arm
- Chain counter magnet pre-installed as standard
- IP67 rated heavy duty electric motor
- Anodised marine aluminium gearbox

Construction	Aluminium		Chromed bronze	
Motor size	500 W	500 W	700 W	1000 W
Power Supply (V)	12	12	12	12
Maximum Pull (kg)	630	630	700	900
Working load (kg)	70	70	80	120
Amps at Working Load (A)	75	75	80	120
Line Speed at Working Load (m/min)	23	23	25	18
Max Line Speed (m/min)	26	26	28	30
Net Weight Low Profile (kg)	10	11	13	16
Net Weight with Drum (kg)	11	12	14	17
Circuit Breaker (available separately)	187331	187331	187332	187333
Control Box	Included in package			

X1			Code	Code	Code	Code
With Drum	6 mm, ISO 4565 / DIN 766	10-12 mm, 3-strand	409558	472881	473207	*
	8 mm, ISO 4565 / DIN 766	12 mm, 3-strand	*	187270	473003	600092
Low Profile	6 mm, ISO 4565 / DIN 766	10-12 mm, 3-strand	409557	472880	473217	*
	8 mm, ISO 4565 / DIN 766	12 mm, 3-strand	*	187269	473002	600093

*Non-standard configuration optional gypsies can be supplied separately. Please refer to compatible gypsies table on next page.



Finger



Compatible Gypsies



Code	Gypsy Size
630970	6 mm, ISO 4565 / DIN 766
630980	7 mm, ISO 4565
630999	8 mm, ISO 4565 / DIN 766



Lofrans' designed marine aluminum gearbox



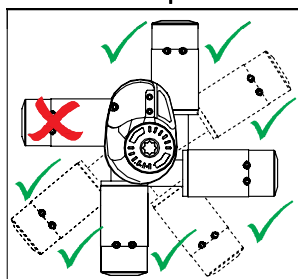
IP67 rated heavy duty electric motor

Optional Accessories

- Foot Switch
- Control Switch
- Circuit Breaker
- Chain Counter
- Hand Held Control
- Radio Control



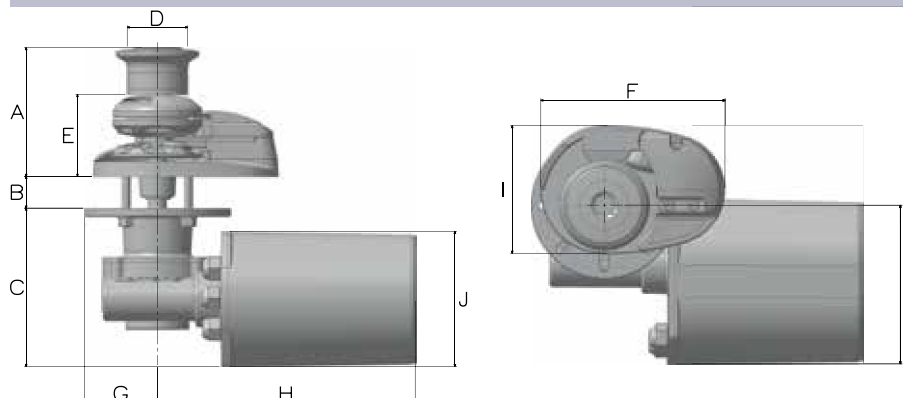
Installation positions



Standard Equipment:

- Dual direction solenoid pack
- Handle
- Gypsy for chain
- CD / Instruction manual

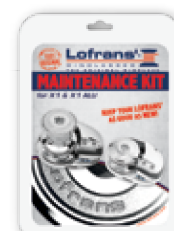
Dimensions in mm



Model	A	B	C	D	E*	F	G	H	I	J	L
500W	130	10-30	111	Ø60	84	183	56	236	127	105	132
700W	130	10-30	111	Ø60	84	183	56	236	127	105	132
1000W	130	10-30	150	Ø60	84	183	62	256	127	134	165

*Low Profile height dimensions.

KEEP YOUR LOFRANS' AS GOOD AS NEW!



Maintenance Kit for X1

Code....72037

Please refer to accessories section for control and installation products (see pages 49-56)