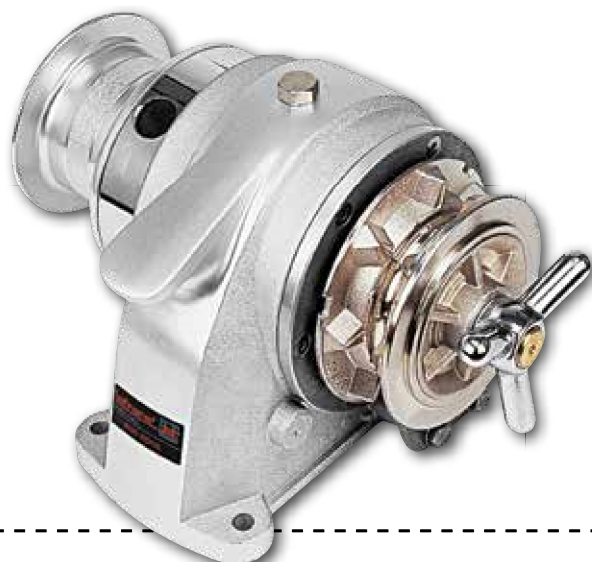


ROYAL - Horizontal Windlass



Manual



Main features

- Marine alluminium anodised body
- Independent Gypsy and drum operation
- Manual chain release
- Manual override

Construction	Anodised Aluminium
Motor size	MANUAL
Power Supply (V)	-
Maximum Pull (kg)	400
Working load (kg)	70
Amps at Working Load (A)	-
Line Speed at Working Load (m/min)	-
Max Line Speed (m/min)	-
Net Weight with Drum (kg)	10

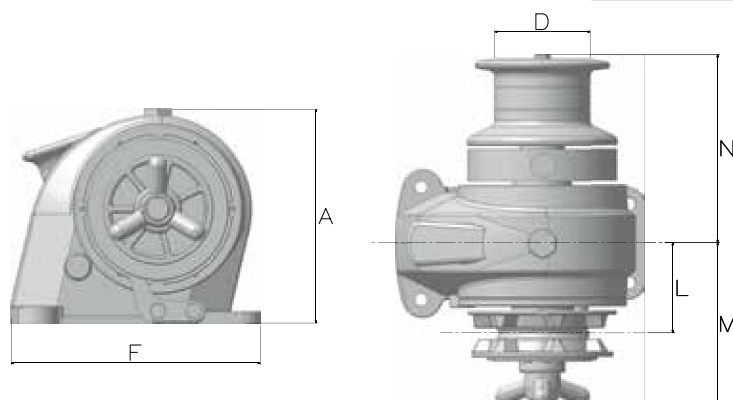
ROYAL		Code
With Drum	6 mm, ISO 4565 / DIN 766	187323
	7 mm, ISO 4565	600625
	8 mm, ISO 4565 / DIN 766	404725
	10 mm, DIN 766	600079
	10 mm, ISO 4565	220002

Compatible Gypsies



Code	Gypsy Size
630968	6 mm, ISO 4565 / DIN 766
630978	7mm, ISO 4565
630994	8 mm, ISO 4565 / DIN 766
631118	10mm, DIN 766
631011	10mm, ISO 4565
631077	5/16 HT
631120	3/8 BBB
631122	3/8 PC

Dimensions in mm



Model	A	D	F	L	M	N
Manual	192	Ø85	222	80	145	167



Maintenance Kit for ROYAL

Code....72046

Please refer to accessories section for control and installation products (see pages 49-56)