

# PROJECT 1000





**Main features**

- Luxury chrome bronze base and drum
- Special watertight stainless steel ball bearing in the base
- With drum or Low profile
- Independent Gypsy and drum operation
- Rope and chain combination Gypsy
- Manual chain release
- Manual override
- Rope chain management by the spring loaded arm
- Chain counter magnet pre-installed as standard
- Heavy duty two speed built in solenoids IP67 rated electric motor
- Anodised marine aluminium gearbox

*With Drum*

Construction	Chromed bronze	
	1000 W	
Motor size	12	24
Power Supply (V)	1000	1060
Maximum Pull (kg)	165	165
Working load (kg)	135	70
Amps at Working Load (A)	22	25
Line Speed at Working Load (m/min)	50	50
Max Line Speed (m/min)	22	22
Net Weight Low Profile (kg)	24	24
Net Weight with Drum (kg)	187333	187332
Circuit Breaker (available separately)	Build in	

PROJECT 1000			Code	Code
With Drum	8 mm, ISO 4565 / DIN 766	14 mm, 3-strand	220159	478645
	10 mm, DIN 766	-	602092	471023
	10 mm, ISO 4565	-	428419	*
Low Profile	8 mm, ISO 4565 / DIN 766	14 mm, 3-strand	220153	*
	10 mm, DIN 766	-	602093	473280
	10 mm, ISO 4565	-	471022	*

*\*Non-standard configuration optional gypsies can be supplied separately. Please refer to compatible gypsies table on next page.*

# - Vertical Windlass 1000W

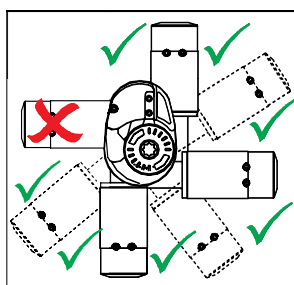


Low profile

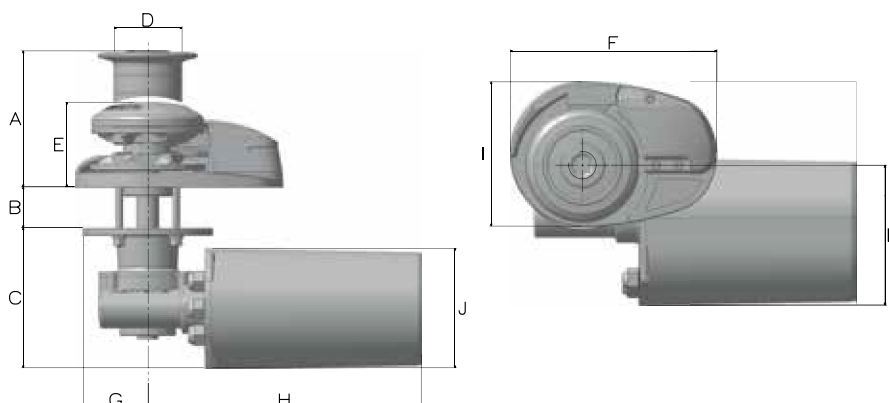
**Standard Equipment:**

- Handle
- Gypsy for chain
- CD / Instruction manual

**Installation positions**



**Dimensions in mm**



Model	A	B	C	D	E*	F	G	H	I	J	L
1000W	153	25-40	155	Ø76	95	232	73	306	162	134	165

\*Low Profile height dimensions.

**Compatible Gypsies**



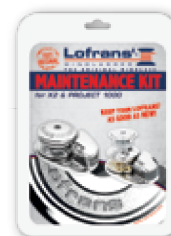
Code	Gypsy Size
630953	6 mm, ISO 4565 / DIN 766
630949	8 mm, ISO 4565 / DIN 766
630951	10mm, ISO 4565
630955	10mm, / DIN 766

**Optional Accessories**

- Foot Switch
- Control Switch
- Circuit Breaker
- Chain Counter
- Hand Held Control
- Radio Control



**KEEP YOUR LOFRANS' AS GOOD AS NEW!**



**Maintenance Kit  
for Project 1000**

Code....72038

Please refer to accessories section for control and installation products (see pages 49-56)