

KOBRA - Horizontal Windlass

1000W

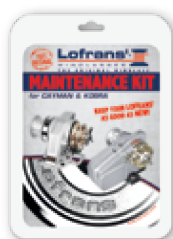
Compatible Gypsies



Code	Gypsy Size
630968	6 mm, ISO 4565 / DIN 766
630978	7 mm, ISO 4565
630994	8 mm, ISO 4565 / DIN 766
631118	10 mm, / DIN 766
631011	10 mm, ISO 4565
631120	3/8 BBB
631122	3/8 PC
631077	5/16 HT



KEEP YOUR LOFRANS' AS GOOD AS NEW!



Maintenance Kit for CAYMAN & KOBRA

Code....72048

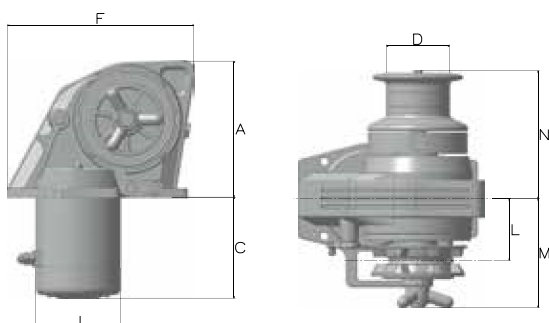
Please refer to accessories section for control and installation products (see pages 49-56)

Construction	Anodised Aluminium	
Motor size	1000 W	
Power Supply (V)	12	24
Maximum Pull (kg)	1250	1325
Working load (kg)	170	170
Amps at Working Load (A)	150	80
Line Speed at Working Load (m/min)	16	17
Max Line Speed (m/min)	32	33
Net Weight with Drum (kg)	21	21
Circuit Breaker (available separately)	187333	187332
Control Box	Included in package	

KOBRA		Code	Code
With Drum	6 mm, ISO 4565 / DIN 766	600051	600513
	8 mm, ISO 4565 / DIN 766	220260	600514
	10 mm, DIN 766	600052	471734
	10 mm, ISO 4565	428747	220420

*Non-standard configuration optional gypsies can be supplied separately.
Please refer to compatible gypsies table

Dimensions in mm



Model	A	C	F	D	J	L	M	N
1000W	184	136	250	Ø85	Ø114	83	147	172